

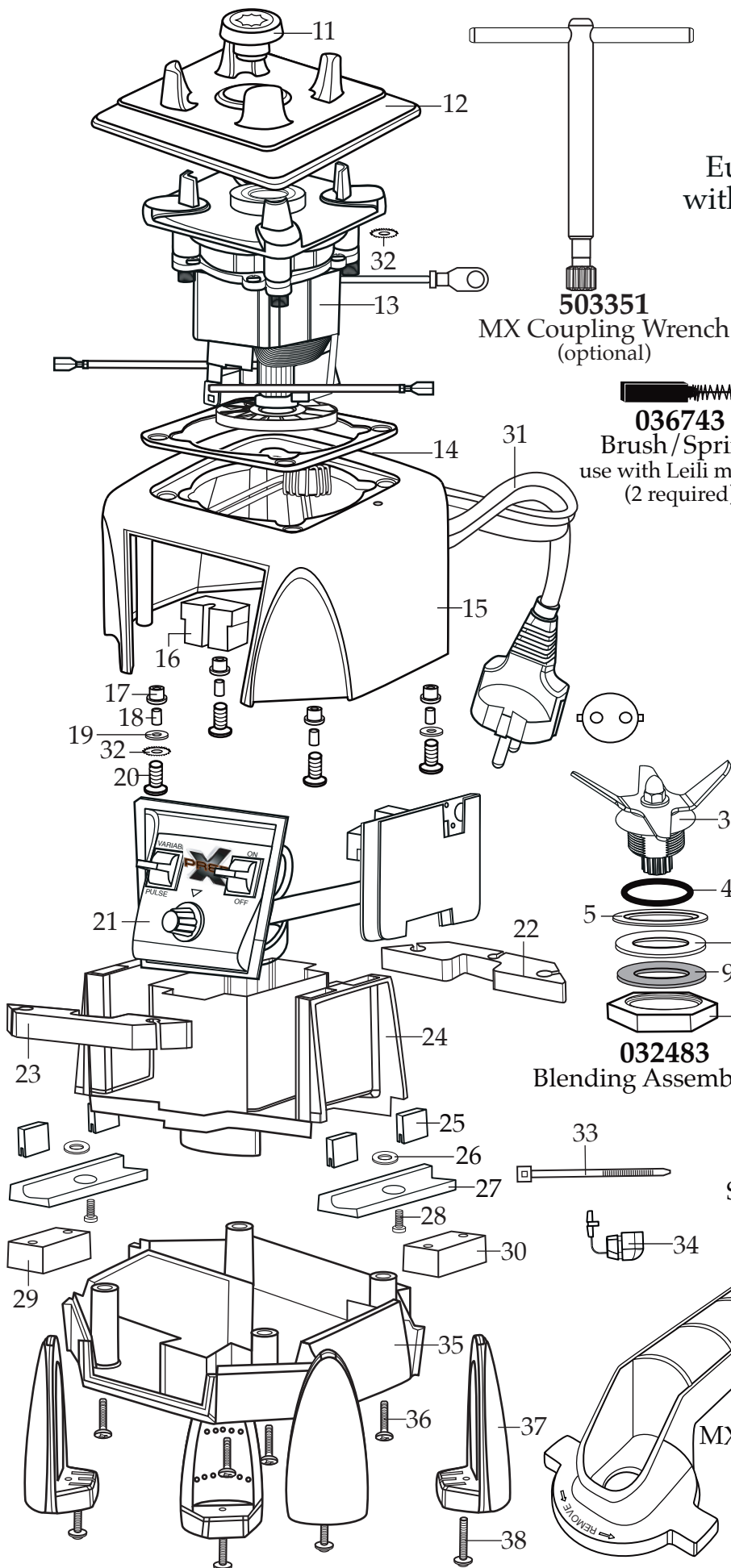
# WARING COMMERCIAL

Europe Variable Speed Blenders  
with 64 oz. Stainless Steel Container

## MX1200XTEES

## MX1200XTSEES

with Sound Enclosure



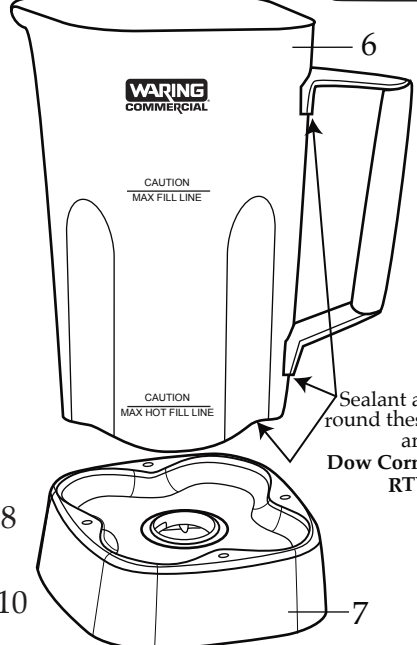
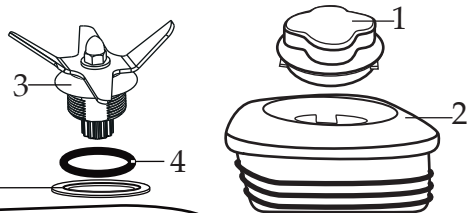
**503351**  
MX Coupling Wrench  
(optional)

**036743**  
Brush/Spring  
use with Leili motors  
(2 required)

**032483**  
Blending Assembly Kit

**503346**  
Stainless Steel Container with  
Blending Assembly

**032761**  
MX Jar Wrench  
(optional)



Sealant applied all  
round these indicated  
areas.  
**Dow Corning Sealant  
RTV 733**

**Notes:**

- Torque 100-125 in/lbs
- Lubricant applied to O Ring  
**Dow Corning 200 (R) Fluid**



Date Code Location  
YY|MM|DD  
year|year|month|month|day|day



Catalog	Model
MX1200XTEES	MX1200XT31CE
MX1200XTSEES	MX1200XT32CE



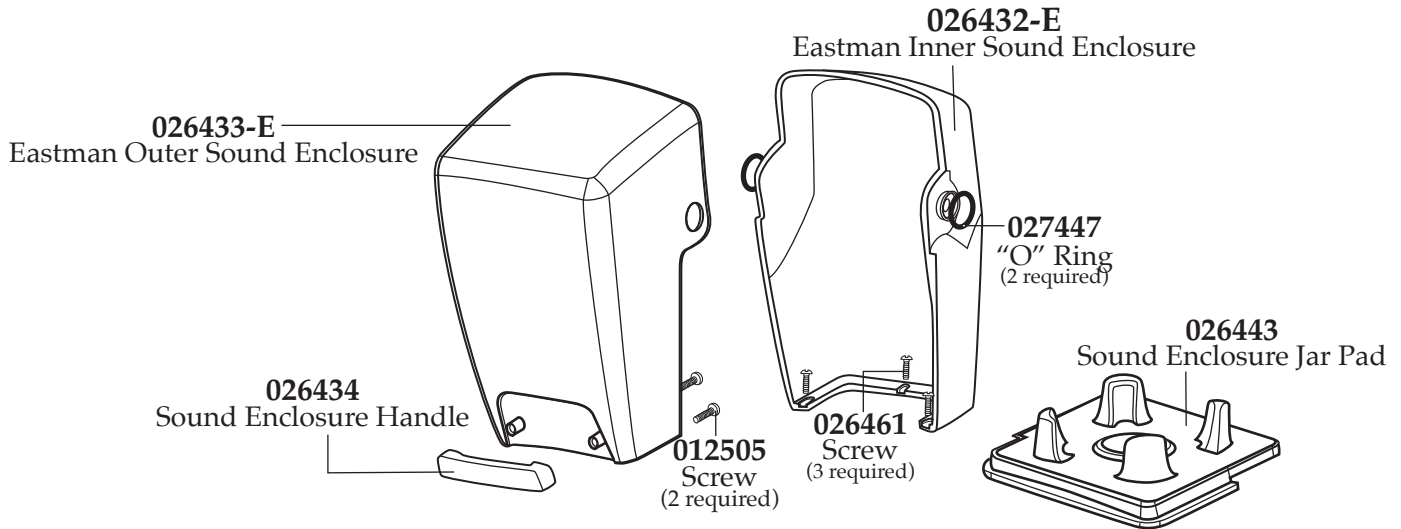
Illustration#	Part#	Description
1	028769-E	Jar Lid Cover
2	028768	Vinyl Jar Lid
3	503345	Blade Assembly
4	024271	O Ring
5	026798	Support Washer
6	026648	64 oz. Stainless Steel Container
7	026649	Container Support
8	026797	Bearing Holder Gasket
9	026796	Bearing Holder Washer
10	026795	Stainless Steel Jar Bearing Holder Nut
11	503601	Sq. Drive Coupling with Adapter <i>(on units after 3/29/2022)</i>
	503604	Sq. Drive Coupling with Adapter 2 Gen. <i>(changed after 1;/3/2021)</i>
	028538	Drive Coupling
12	026442	Jar Pad
13	035399	Leili Motor with Sensor <i>(on units after 8/28/2017)</i>
	028824	ECM Motor with Sensor
14	038278	Dampening Plate Gasket <i>(on units after 8/25/2022)</i>
	026437	Dampening Plate Gasket
15	503382-E-67	MX Housings, Ferrite Core & Cord <i>(on units after 8/28/2017)</i>
	503382-E	MX Housings, Ferrite Core & Cord <i>(on units after 12/10/2012)</i>
16	028541	Motor Foam (2 required)
17	026439	Dampening Plate Bushing (4 required)
18	038486	Dampening Plate Sleeve (4 required <i>on units after 8/25/2022</i> )
	026453	Dampening Plate Sleeve (4 required)
19	026459	Washer (2 required)
20	028929	Sems (4 required)
21	036401	Control Panel with Interlock <i>(XPrep changed after 8/24/2018)</i> comes with switches-key board-main board-filter board
	035024	Soft Start Control Panel <i>(XPrep use 036401)</i>
	028568	Control Panel <i>(Xtreme use 035024)</i>
22	028248	Top Housing Foam Rear Baffle
23	028249	Top Housing Foam Front Baffle
24		<i>Motor Housing is Included with Illustration# 15</i>
25	034900	PCB Cushions (4 required <i>on units after 7/18/2019</i> )
26	037232	Washer (2 required)
27	037007	PCB Mounting Bracket (2 required)
28	013768	Screw (2 required)
29	028247	Bottom Housing Foam Baffle
30	028542	Foam Baffle
31		<i>Cord is Included with Illustration# 15</i>
32	002943	Washer (4 required)

<b>Catalog</b>	<b>Model</b>
MX1200XTEES	MX1200XT31CE
MX1200XTSEES	MX1200XT32CE

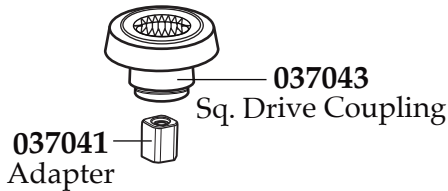
**Waring Factory Service Center**  
**314 Ella T. Grasso Ave.**  
**Torrington, CT 06790**  
**Tele. 1-800-269-6640**

**Fax 860-496-9017**  
**www.waringcommercialproducts.com**

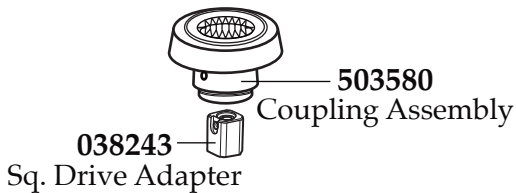
<b>Illustration#</b>	<b>Part#</b>	<b>Description</b>
32	002943	Washer (4 required)
33	013731	Cable Tie (3 required)
34	007556	Strain Relief
35	<i>Bottom Housing is Included with Illustration# 15</i>	
36	012505	Screw (4 required)
37	026430	Corner Post (4 required)
38	028928	Sems (4 required)



**502962**  
SE1000



**503601**  
Sq. Drive Coupling  
with Adapter

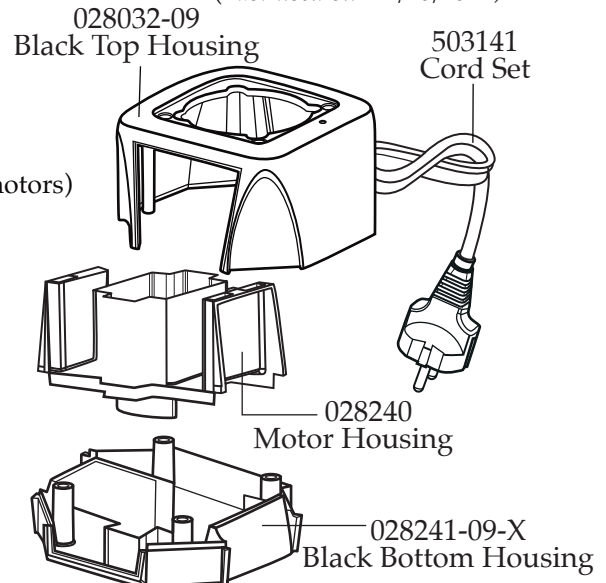


**503604**  
Sq. Drive Coupling  
with Adapter 2 Gen.



### Parts No Longer Used

(Last used on 12/10/2012)



# Catalog

MX1200XTEES  
MX1200XTSEES

# Model

MX1200XT31CE  
MX1200XT32CE

**Waring Factory Service Center**  
314 Ella T. Grasso Ave.  
Torrington, CT 06790  
Tele. 1-800-269-6640

**COMMERCIAL**  
Fax 860-496-9017  
www.waringcommercialproducts.com

